

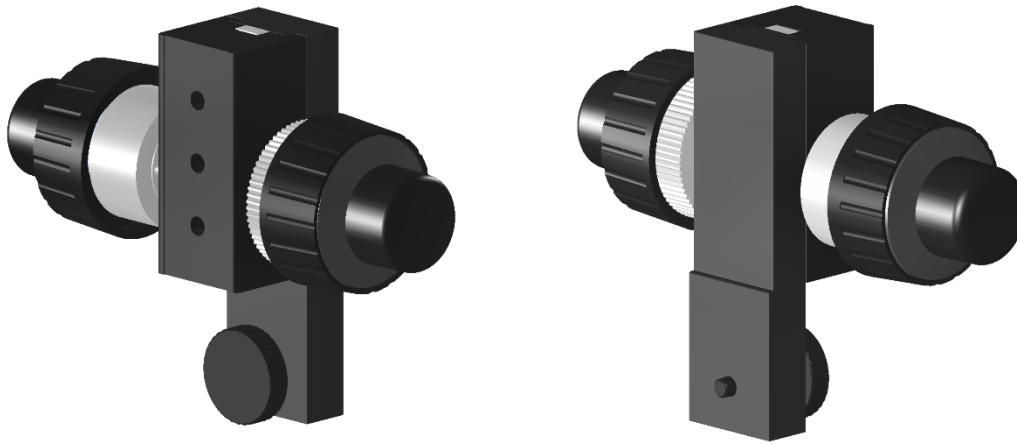
# Compact Rack & Pinion Focusing



Coarse/Fine for Double-rod Boom Stands

Quality of Inspection

Industrial type rack and pinion focusing module especially designed for Inspectis double-rod boom stands and XY travel stands. For precise adjustment of working distance and/or coarse/fine focusing of Inspectis digital microscopes.



Made of stainless steel and black anodised aluminum parts.

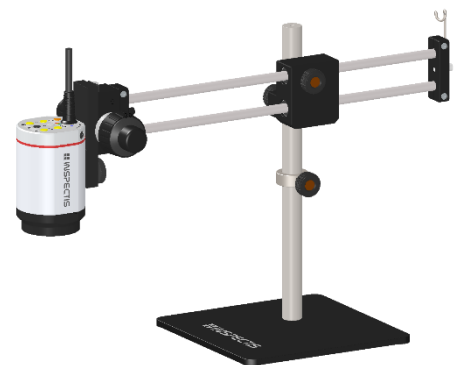
## Specification:

Load Capacity:	2 Kg
Travel:	50 mm
Coarse travel Per Knob Rotation:	20 mm
Fine travel Per Knob Rotation:	0.1 mm
Weight of Rack & Pinion unit:	0.78 Kg

## Ordering Number/Name

**HD-091** Compact Rack-&-Pinion Focusing module,  
Coarse/Fine motion for XY- and double-rod boom stands

Reseller:



V1, 2025

[www.inspect-is.com](http://www.inspect-is.com)