

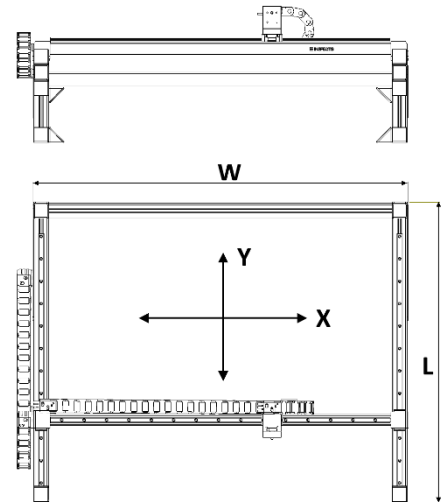
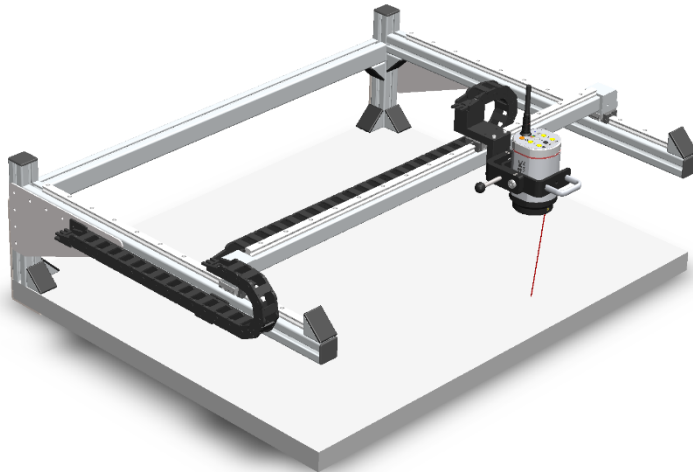
Compact XY-travel Stand



Quality of Inspection

Table-Top

Industrial grade table-top XY-travel stand with cable carrier providing smooth lateral movement of the Digital Microscope over inspection object. Ideal for optical inspection of large objects or for processes where object handling is undesirable. Especially suitable for constrained working space constricted.



Comprised of custom cut linear guiding system mounted on high density aluminium profile for smooth and stable XY-travel of digital camera. The height of the linear guide can be adjusted and set for desired working distance of the Digital Microscope. 4-direction tilt unit, Camera grip handle, and Z-extender brackets are available for XY-travel Stand as extra accessories.

Made of high-quality anodised aluminium and Stainless-Steel parts.

Specification:

X-travel range*	Custom made 100 to 750 mm. $X = W - 145$ mm
Y-travel range*	Custom made 100 to 750 mm. $Y = L - 120$ mm
Working Distance range**	115 to 340 mm (up to 500mm with extended vertical posts)
Weight	~ 7.0 to 12.0 kg depending on W and L lengths
Fastener to table	Rear bracket and angle-mounts with M6 mounting holes



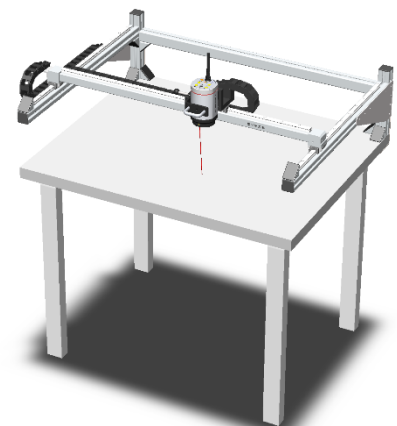
* Long XY-travel versions are available

** WD is adjusted by changing height of the entire XY-stand or by using HD-181.
Extended vertical posts can be supplied on request for extra large working distance.

Ordering Number/Name

HD-380	Compact XY-Travel Stand, table-top
HD-370	Compact XY-Travel Stand, In-Line
HD-171	4-direction Tilt Unit for Travel Stands
HD-172	Rack-&-Pinion module for travel stands, Coarse/Fine
HD-181	Z-extender bracket for XY-travel Stands

Reseller:



V1, 2023

www.inspect-is.com